



Unigy II Series Batteries

160 Ah to 4200 Ah



Unigy II is a series of Valve-Regulated Lead Acid (VRLA) batteries specially designed for the long backup needs of telecommunications applications:

- Huts and controlled environment vaults (CEV)
- Remote switching
- Wireless
- Small-to-medium central office
- Customer premises

Capacities range from 90 Ah to 4200 Ah at the 8-hour discharge rate. The basic *Unigy II* building block is a 2 V cell. Cells are connected in series or parallel combinations into modules.

The five standard modules are 75 Ah plate 12 V, 75 Ah plate 6 V, 85 Ah plate 12 V, 85 Ah plate 6 V, and 85 Ah plate 2 V.

Modules are connected in series to create strings at the standard operating voltages, such as 24 V or 48 V. Multiple strings of batteries can be paralleled for higher capacity.

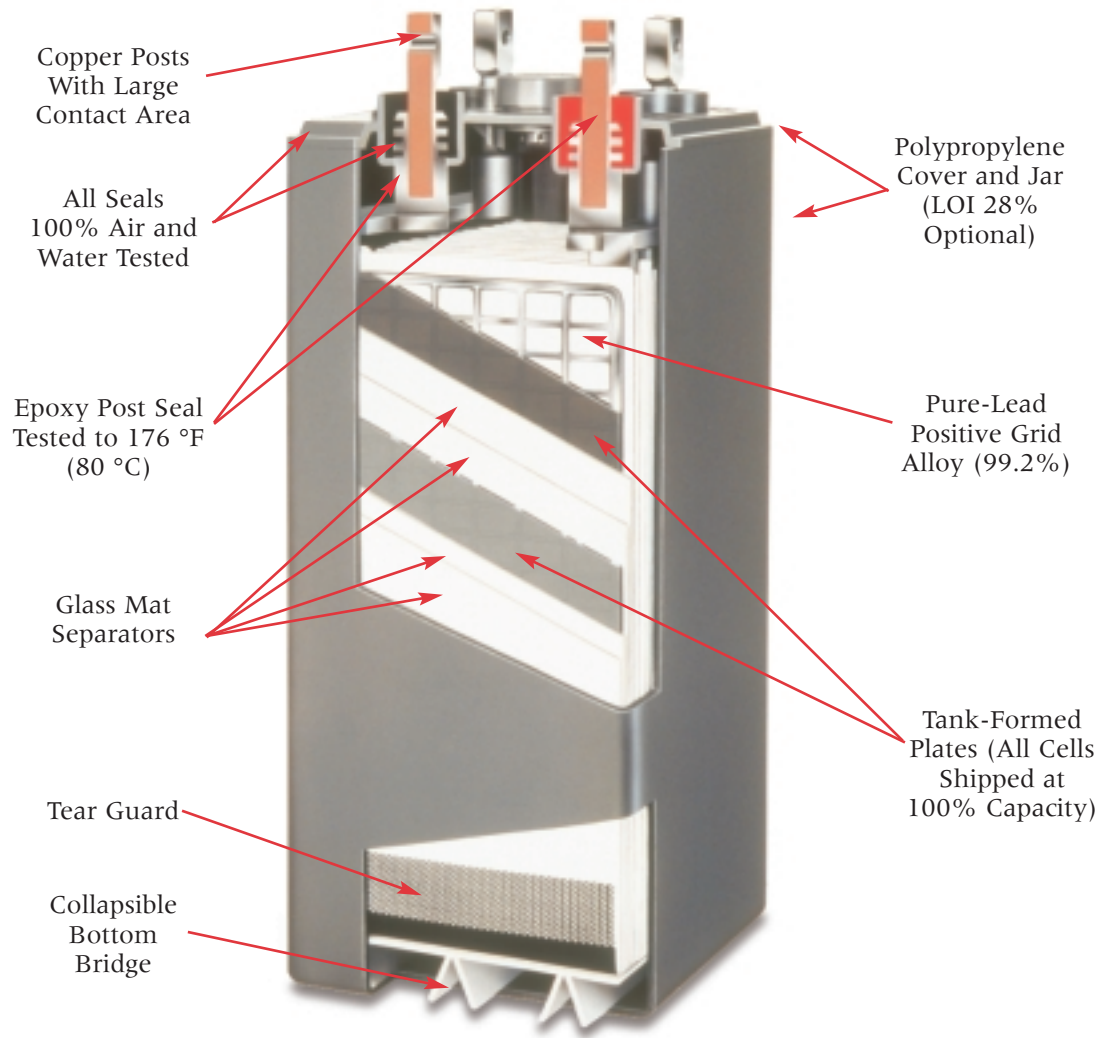
Features and Benefits

- Modular Construction
 - Allows flexibility to meet floor loading
 - Saves floor space by stacking up to eight modules high
 - Assembles at site
 - Guarantees minimum ventilation around cells
- Front Access Service Is:
 - Faster, Easier, and Safer
- 20-Year Design Life
 - Minimizes costly replacement cycle
- Pure-Lead Positive Grid
 - Extends battery life
 - Minimizes grid growth and battery swelling
 - Permits easy reclamation at end of life
- Tank Formation
 - Improves quality by ensuring uniform grid growth
- 100% Rated Capacity Upon Shipment
 - Extends battery life
 - Eliminates formation period at site
- Epoxy Post Seal
 - Minimizes risk of acid leaks around post
- Unique Intercell Straps
 - Reduces damage to battery that could result from over-torquing

Benefit	Feature	Function
Save Money, Longer Replacement Cycle	20-year design life (at 25 °C)	- Allows slow grid growth
	- 99.2% pure-lead positive plate; lead calcium negative plate	- Minimizes jar swelling
	- Increased cell depth	- Resist acid leaks
	- Epoxy post seals	- Minimizes water loss and resists impact damage
	- Polypropylene cover and container	- Resists damage and ensures ventilation around each cell to prevent overheating/dry-out
	- 11 gauge steel-frame construction	- Provides room for plates to grow without harm to battery posts and jar-to-cover seals
	- Collapsible bridge under plates	- Ensures quality and performance before the battery ships
	- Computer-controlled manufacturing process, 100% jar-to-cover seal leak tests, and capacity test	- Optimize electrical contact, resists corrosion
	- Tin-plated copper terminals	- Optimizes efficiency
	- Float voltage: 2.25 + 1% volts per cell at 25 °C (77 °F)	- Retains charge, even during storage
Save Money, Easier Maintenance	- VRLA construction with microporous glass mat separators	- Minimizes moisture loss; eliminates need to replace electrolyte; maintenance is basically limited to inspection and cleaning
	- Double intercell straps	- Improve reliability; reduces risk that you might over-torque or strip-out threads
Protect People and Equipment	Safety features:	
	- Color-coded epoxy post seal	- Allows easy identification of positive and negative posts; seals insulate up to 1000 V
	- Flame-retardant, clear plexiglass shields	- Protect against shorting terminal posts and terminal plate assembly
	- Flame arrestor	- Prevents sparks or flame from entering the battery
	- Safety vent, low pressure, self-sealing*	- Releases gas when battery is overheated or overcharged*
- Seismic zone 4	- Allows safe installation in earthquake zones	
Customize Installation	Options:	
	- Top- or side-mounted terminal plate assemblies (with plexiglass protective covers)	- Simplify cable routing
	- Heavy single strap intercell connectors for modules >500 Ah capacity (instead of standard double strap)	- Carry higher current in high-rate discharge applications (at rates below 6 hours)
	- Wide rail base	- Requires fewer connections during installation and service
	- Mounting hardware kit	- Spreads weight when floor loading is a concern
- UL†94 V0 and 28% LOI	- Allows rectifier plant to attach on top of battery	
- Will not support burning		
Protect the Environment	- Fully recyclable materials	- Contain no cadmium or antimony

* User should verify that proposed applications will result in no more than 1% hydrogen by volume under worst-case operating conditions. Hydrogen accumulation in non-Lucent Technologies enclosures has not been confirmed.

† UL is a registered trademark of Underwriters Laboratories, Inc.



Unigy II Battery Cell (2 V)

Lucent Technologies Unigy II Ordering Information - Specification No. WP-93379

Module*	-28 LOI Comcode	Standard Comcode	Voltage and Capacity (8-hr. Rate)	Width in. (mm) "W"	Height in. (mm) "H"	Depth in. (mm) "D"	Weight lb. (kg)
6A-75-5†	407586486		12 V, 160 Ah	20.19 (512.8)	8.50 (215.9)	24.5 (622.3)	259 (117.48)
6A-75-7†	407586494		12 V, 235 Ah	24.62 (625.4)	8.50 (215.9)	24.5 (622.3)	330 (149.69)
6A-75-9	407531979	407531961	12 V, 310 Ah	29.12 (739.7)	8.50 (215.9)	24.5 (622.3)	397 (180.08)
6A-75-11	407531938	407531920	12 V, 390 Ah	33.62 (853.9)	8.50 (215.9)	24.5 (622.3)	471 (213.65)
6A-75-13	407586502	407586387	12 V, 470 Ah	38.12 (968.3)	8.50 (215.9)	24.5 (622.3)	542 (245.85)
6A-75-15	407531995	407531987	12 V, 550 Ah	42.62 (1082.6)	8.56 (217.5)	24.5 (622.3)	612 (277.60)
3A-75-17	407531862	407531854	6 V, 630 Ah	27.62 (701.6)	8.56 (217.5)	24.5 (622.3)	382 (173.28)
3A-75-19	407532027	407532019	6 V, 705 Ah	29.88 (758.9)	8.56 (217.5)	24.5 (622.3)	420 (190.51)
3A-75-21	407532043	407532035	6 V, 785 Ah	32.10 (815.8)	8.56 (217.5)	24.5 (622.3)	458 (207.75)
3A-75-23	407531888	407531870	6 V, 865 Ah	34.38 (873.3)	8.56 (217.5)	24.5 (622.3)	496 (224.99)
3A-75-25	407532068	407532050	6 V, 945 Ah	36.62 (930.2)	8.56 (217.5)	24.5 (622.3)	530 (240.41)
3A-75-27	407531912	407531904	6 V, 1025 Ah	38.88 (987.6)	8.56 (217.5)	24.5 (622.3)	568 (257.65)
3A-75-29	407532084	407532076	6 V, 1100 Ah	41.12 (1044.5)	8.56 (217.5)	24.5 (622.3)	606 (274.88)
3A-75-31	407532100	407532092	6 V, 1175 Ah	43.38 (1101.9)	8.56 (217.5)	24.5 (622.3)	634 (287.58)
3A-75-33	407532126	407532118	6 V, 1255 Ah	45.62 (1158.8)	8.56 (217.5)	24.5 (622.3)	681 (308.90)
6A-85-7†	407586411	407586429	12 V, 265 Ah	24.62 (625.4)	8.50 (215.9)	27.12 (688.9)	357 (161.94)
6A-85-9	407586437	407586445	12 V, 350 Ah	29.12 (739.7)	8.50 (215.9)	27.12 (688.9)	439 (199.13)
6A-85-11	407586452	407586403	12 V, 440 Ah	33.62 (853.9)	8.50 (215.9)	27.12 (688.9)	521 (236.33)
6A-85-13	407586460	407531342	12 V, 530 Ah	38.12 (968.3)	8.50 (215.9)	27.12 (688.9)	603 (273.52)
6A-85-15	407586478		12 V, 615 Ah	42.62 (1082.6)	8.56 (217.5)	27.12 (688.9)	682 (309.36)
3A-85-17	407531367	407531359	6 V, 695 Ah	27.62 (701.6)	8.56 (217.5)	27.12 (688.9)	428 (194.14)
3A-85-19	407586577		6 V, 785 Ah	29.88 (758.9)	8.56 (217.5)	27.12 (688.9)	472 (214.10)
3A-85-21	407586585		6 V, 875 Ah	32.10 (815.8)	8.56 (217.5)	27.12 (688.9)	508 (230.43)
3A-85-23	407531383	407531375	6 V, 960 Ah	34.38 (873.3)	8.56 (217.5)	27.12 (688.9)	557 (252.66)
3A-85-25	407531409	407531391	6 V, 1050 Ah	36.62 (930.2)	8.56 (217.5)	27.12 (688.9)	598 (271.25)
3A-85-27	407531425	407531417	6 V, 1135 Ah	38.88 (987.6)	8.56 (217.5)	27.12 (688.9)	639 (289.85)
3A-85-29	407586593	407586395	6 V, 1225 Ah	41.12 (1044.5)	8.56 (217.5)	27.12 (688.9)	683 (309.81)
3A-85-31	407531441	407531433	6 V, 1310 Ah	43.38 (1101.9)	8.56 (217.5)	27.12 (688.9)	724 (328.41)
3A-85-33	407531474	407531466	6 V, 1400 Ah	45.62 (1158.8)	8.56 (217.5)	27.12 (688.9)	770 (349.27)
1A-85-39†	407531508	407531490	2 V, 1585 Ah	23.12 (587.2)	8.56 (217.5)	27.12 (688.9)	320 (145.15)
1A-85-45†	407531524	407531516	2 V, 1845 Ah	25.38 (644.7)	8.56 (217.5)	27.12 (688.9)	375 (170.10)
1A-85-51	407531953	407531946	2 V, 2095 Ah	27.62 (701.6)	8.56 (217.5)	27.12 (688.9)	428 (194.14)
1A-85-57	407531565	407531557	2 V, 2360 Ah	29.88 (758.9)	8.56 (217.5)	27.12 (688.9)	472 (214.10)
1A-85-63	407531581	407531573	2 V, 2625 Ah	32.12 (815.9)	8.56 (217.5)	27.12 (688.9)	508 (230.43)
1A-85-69	407531607	407531599	2 V, 2890 Ah	34.38 (873.3)	8.56 (217.5)	27.12 (688.9)	598 (271.25)
1A-85-75	407531623	407531615	2 V, 3145 Ah	36.62 (930.2)	8.56 (217.5)	27.12 (688.9)	557 (252.66)
1A-85-81	407531649	407531631	2 V, 3405 Ah	38.88 (987.6)	8.56 (217.5)	27.12 (688.9)	639 (289.85)
1A-85-87	407531805	407531797	2 V, 3675 Ah	41.12 (1044.5)	8.56 (217.5)	27.12 (688.9)	683 (309.81)
1A-85-93	407531821	407531813	2 V, 3935 Ah	43.38 (1101.9)	8.56 (217.5)	27.12 (688.9)	724 (328.41)
1A-85-99	407531847	407531839	2 V, 4200 Ah	45.62 (1158.8)	8.56 (217.5)	27.12 (688.9)	770 (349.27)

* Add the suffix -28 to specify Low Oxygen Index 28%.

† Top-mount framework is 26 in. wide and will overhang these modules.

Note: The model number is broken down as follows: In the model 6A-75-15-28,

- 6 = voltage code (1 = 2 V, 3 cells in parallel; 3 = 6 V, 3 cells in series; 6 = 12 V, 6 cells in series)
- 75 = the plate type (75 Ah or 85 Ah)
- 15 = the number of plates per cell
- 28 = Low Oxygen Index (LOI) case material

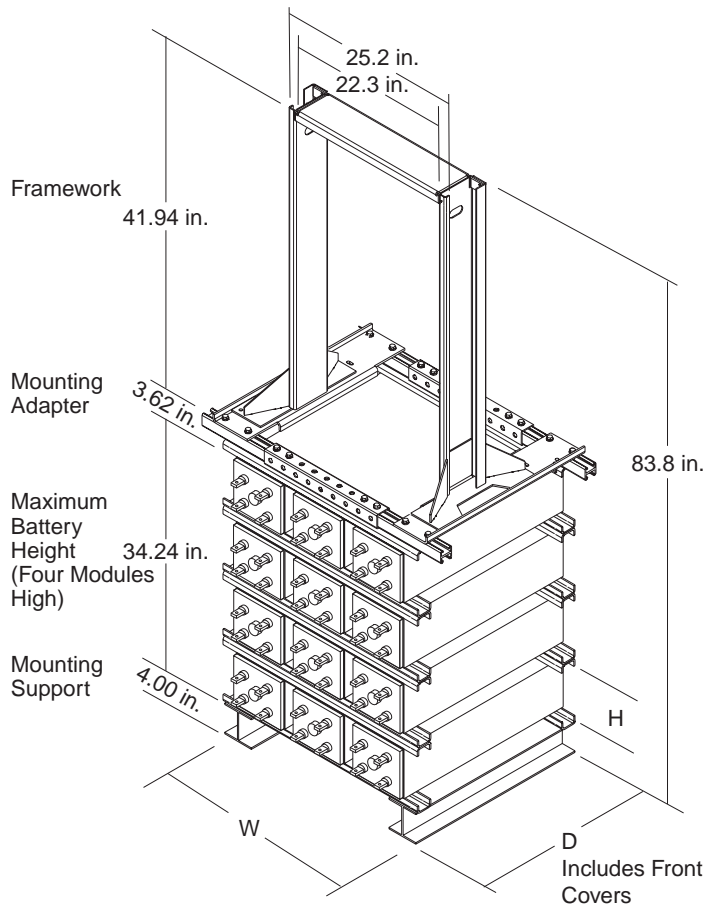
Lucent Technologies Unigy II Accessories Ordering Information*

Comcode	Description
847674777	Mounting hardware kit to attach a framework† to the top of a 75 Ah Unigy II battery
847674785	Mounting hardware kit to attach a framework† to the top of an 85 Ah Unigy II battery
847598265	White framework used on J85500D-3, H569-422 (-48 V), and H569-424 (+24 V) battery plants
847507522	Gray framework used on H569-420 (+24 V) battery plant

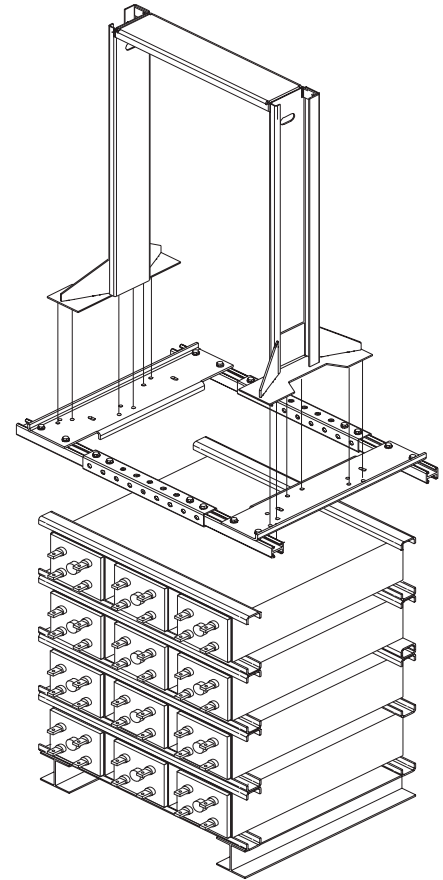
* Modules with top-mount framework are only available with side-mount terminal plate assemblies.

† Framework is 42 in. high and 26 in. wide with 22-5/16 in. mounting centers. Framework is available in both white and gray.

Outline Drawings



Wider Base Rail Option



Framework Mounted to the Top of a *Unigy* Battery

75 Ah Plate Modules

Unigy II Discharge Rates in Amperes

Cell Type	Nom. Ah Cap.	Amperes to 1.75 V per Cell at 25 °C (77 °F)									
		24 hr.	12 hr.	10 hr.	8 hr.	6 hr.	5 hr.	4 hr.	3 hr.	2 hr.	1 hr.
6A-75-5	160	8	14	16	20	25	28	33	41	54	87
6A-75-7	235	12	21	25	29	37	42	50	61	80	130
6A-75-9	310	16	28	33	39	49	56	66	82	107	174
6A-75-11	390	20	35	41	49	61	70	83	102	134	217
6A-75-13	470	23	42	49	59	73	84	100	123	161	261
6A-75-15	550	27	50	57	69	86	98	116	143	187	304
3A-75-17	630	31	57	66	79	98	112	133	163	214	347
3A-75-19	705	35	64	74	88	110	127	150	184	241	390
3A-75-21	785	39	71	82	98	122	141	166	204	268	434
3A-75-23	865	43	78	90	108	135	155	183	225	295	478
3A-75-25	945	47	85	98	118	147	169	200	245	321	521
3A-75-27	1025	51	92	107	128	159	183	216	265	348	564
3A-75-29	1100	55	99	115	138	171	197	233	286	375	608
3A-75-31	1175	59	106	123	147	184	211	250	306	402	651
3A-75-33	1255	63	113	131	157	196	225	266	327	428	694

Cell Type	Nom. Ah Cap.	Amperes to 1.78 V per Cell at 25 °C (77 °F)									
		24 hr.	12 hr.	10 hr.	8 hr.	6 hr.	5 hr.	4 hr.	3 hr.	2 hr.	1 hr.
6A-75-5	160	8	14	16	19	23	27	31	38	51	80
6A-75-7	235	11	20	24	28	35	40	47	58	76	120
6A-75-9	310	15	27	31	38	47	53	63	77	101	160
6A-75-11	390	19	34	39	47	59	67	79	96	126	200
6A-75-13	470	22	41	47	57	70	80	94	115	151	240
6A-75-15	550	26	48	55	66	82	94	110	135	176	280
3A-75-17	630	30	54	63	75	94	107	126	154	201	320
3A-75-19	705	34	61	71	85	105	120	141	173	227	360
3A-75-21	785	37	68	79	94	117	134	157	192	252	400
3A-75-23	865	41	75	86	104	129	147	173	212	277	440
3A-75-25	945	45	82	94	113	140	160	188	231	302	480
3A-75-27	1025	49	88	102	123	152	174	204	250	327	520
3A-75-29	1100	52	95	110	132	164	187	220	269	352	560
3A-75-31	1175	56	102	118	141	175	201	235	298	377	600
3A-75-33	1225	60	109	126	151	187	214	251	308	402	640

Cell Type	Nom. Ah Cap.	Amperes to 1.81 V per Cell at 25 °C (77 °F)									
		24 hr.	12 hr.	10 hr.	8 hr.	6 hr.	5 hr.	4 hr.	3 hr.	2 hr.	1 hr.
6A-75-5	160	7	13	16	19	23	26	31	38	49	76
6A-75-7	235	11	20	23	28	35	39	46	57	74	114
6A-75-9	310	15	27	31	37	46	53	62	75	98	153
6A-75-11	390	19	34	39	47	58	66	77	94	123	191
6A-75-13	470	22	40	47	56	69	79	93	113	147	229
6A-75-15	550	26	47	54	65	81	92	108	132	172	267
3A-75-17	630	30	54	62	74	92	105	124	151	196	305
3A-75-19	705	33	60	70	84	104	118	139	170	221	343
3A-75-21	785	37	67	78	93	115	131	154	189	245	381
3A-75-23	865	41	74	86	102	127	145	170	207	270	420
3A-75-25	945	45	80	93	112	138	158	185	226	294	458
3A-75-27	1025	48	87	101	121	150	171	201	245	319	496
3A-75-29	1100	52	94	109	130	161	184	216	264	343	534
3A-75-31	1175	56	101	117	140	173	197	232	283	368	572
3A-75-33	1255	59	107	124	149	184	210	247	302	392	610

75 Ah Plate Modules

Unigy II Discharge Rates in Amperes

Amperes to 1.84 V per Cell at 25 °C (77 °F)											
Cell Type	Nom. Ah Cap.	24 hr.	12 hr.	10 hr.	8 hr.	6 hr.	5 hr.	4 hr.	3 hr.	2 hr.	1 hr.
6A-75-5	160	7	13	15	18	23	26	30	37	48	71
6A-75-7	235	11	20	23	27	34	39	45	55	71	106
6A-75-9	310	15	26	30	36	45	51	60	73	95	142
6A-75-11	390	18	33	38	45	56	64	75	91	119	177
6A-75-13	470	22	39	46	54	68	77	90	110	143	213
6A-75-15	550	26	46	53	63	79	90	105	128	166	248
3A-75-17	630	29	53	61	72	90	103	120	146	190	283
3A-75-19	705	33	59	68	82	101	116	135	165	214	319
3A-75-21	785	36	66	76	91	112	129	150	183	237	354
3A-75-23	865	40	72	84	100	124	141	165	201	261	390
3A-75-25	945	44	79	91	109	135	154	180	219	285	425
3A-75-27	1025	47	85	99	118	146	167	195	238	309	461
3A-75-29	1100	51	92	106	127	157	180	210	256	332	496
3A-75-31	1175	55	99	114	136	169	193	225	274	356	531
3A-75-33	1255	58	105	122	145	180	206	240	293	380	567

Amperes to 1.88 V per Cell at 25 °C (77 °F)											
Cell Type	Nom. Ah Cap.	24 hr.	12 hr.	10 hr.	8 hr.	6 hr.	5 hr.	4 hr.	3 hr.	2 hr.	1 hr.
6A-75-5	160	7	13	15	17	22	24	29	34	44	66
6A-75-7	235	11	19	22	26	32	37	43	51	66	99
6A-75-9	310	14	25	29	35	43	49	57	69	88	132
6A-75-11	390	18	32	36	43	54	61	71	86	110	165
6A-75-13	470	21	38	44	52	65	73	85	103	132	198
6A-75-15	550	25	44	51	61	75	86	100	120	154	231
3A-75-17	630	28	50	58	69	86	98	114	137	176	264
3A-75-19	705	32	57	65	78	97	110	128	154	198	297
3A-75-21	785	35	63	73	87	107	122	142	171	220	330
3A-75-23	865	39	69	80	95	118	135	156	189	241	363
3A-75-25	945	42	76	87	104	129	147	171	206	263	396
3A-75-27	1025	46	82	95	113	140	159	185	223	285	429
3A-75-29	1100	49	88	102	121	150	171	199	240	307	462
3A-75-31	1175	53	95	109	130	161	183	213	257	329	495
3A-75-33	1255	56	101	116	139	172	196	228	274	351	528

Amperes to 1.90 V per Cell at 25 °C (77 °F)											
Cell Type	Nom. Ah Cap.	24 hr.	12 hr.	10 hr.	8 hr.	6 hr.	5 hr.	4 hr.	3 hr.	2 hr.	1 hr.
6A-75-5	160	7	12	14	17	21	23	27	32	41	59
6A-75-7	235	10	18	21	25	31	35	41	48	62	88
6A-75-9	310	14	24	28	33	41	47	54	65	82	118
6A-75-11	390	17	31	35	42	52	58	68	81	102	147
6A-75-13	470	20	37	42	50	62	70	81	97	123	177
6A-75-15	550	24	43	49	58	72	82	95	113	143	206
3A-75-17	630	27	49	56	67	83	93	108	129	164	235
3A-75-19	705	31	55	63	75	93	105	122	145	184	265
3A-75-21	785	34	61	70	83	103	117	135	161	205	294
3A-75-23	865	38	67	77	92	113	128	149	178	225	324
3A-75-25	945	41	73	84	100	124	140	162	194	245	353
3A-75-27	1025	44	79	91	108	134	152	176	210	266	383
3A-75-29	1100	48	86	98	117	144	163	189	226	286	412
3A-75-31	1175	51	92	105	125	155	175	203	242	307	441
3A-75-33	1255	55	98	112	133	165	186	216	258	327	471

75 Ah Plate Modules

Unigy II Discharge Rates in Amperes

Amperes to 1.94 V per Cell at 25 °C (77 °F)											
Cell Type	Nom. Ah Cap.	24 hr.	12 hr.	10 hr.	8 hr.	6 hr.	5 hr.	4 hr.	3 hr.	2 hr.	1 hr.
6A-75-5	160	6	11	13	15	19	21	24	29	36	52
6A-75-7	235	9	17	19	23	28	31	36	43	54	78
6A-75-9	310	12	22	26	30	37	42	48	57	72	104
6A-75-11	390	16	28	32	38	47	52	60	71	90	130
6A-75-13	470	19	33	38	45	56	63	72	86	108	156
6A-75-15	550	22	39	45	53	65	73	84	100	126	182
3A-75-17	630	25	44	51	60	74	84	96	114	144	208
3A-75-19	705	28	50	58	68	84	94	108	129	162	234
3A-75-21	785	31	56	64	75	93	105	120	143	180	260
3A-75-23	865	34	61	70	83	102	115	132	157	198	286
3A-75-25	945	37	67	77	90	112	126	144	171	216	312
3A-75-27	1025	40	72	83	98	121	136	156	186	234	338
3A-75-29	1100	43	78	89	106	130	146	168	200	252	364
3A-75-31	1175	47	83	96	113	139	157	180	214	270	390
3A-75-33	1255	50	89	102	121	149	167	192	229	288	416

85 Ah Plate Modules

Unigy II Discharge Rates in Amperes

Amperes to 1.75 V per Cell at 25 °C (77 °F)											
Cell Type	Nom. Ah Cap.	24 hr.	12 hr.	10 hr.	8 hr.	6 hr.	5 hr.	4 hr.	3 hr.	2 hr.	1 hr.
6A-85-7	265	13	24	27	33	41	47	56	68	90	139
6A-85-9	350	17	32	37	44	55	63	74	91	119	185
6A-85-11	440	22	40	46	55	68	78	93	114	149	231
6A-85-13	530	26	47	55	66	82	94	111	137	179	278
6A-85-15	615	31	55	64	77	95	110	130	159	209	324
3A-85-17	695	35	63	73	87	109	125	148	182	239	370
3A-85-19	785	39	71	82	98	123	141	167	205	268	417
3A-85-21	875	44	79	91	109	136	157	185	228	298	463
3A-85-23	960	48	87	100	120	150	172	204	250	328	509
3A-85-25	1050	52	95	110	131	164	188	222	273	358	555
3A-85-27	1135	57	103	119	142	177	204	241	296	387	602
3A-85-29	1225	61	111	128	153	191	219	259	319	417	648
3A-85-31	1310	65	118	137	164	204	235	278	341	447	694
3A-85-33	1400	70	126	146	175	218	250	296	364	477	740
1A-85-39	1585	78	142	164	197	245	282	333	410	536	833
1A-85-45	1845	92	166	192	230	286	329	389	478	626	97
1A-85-51	2095	105	189	219	262	327	376	444	546	715	1111
1A-85-57	2360	118	213	247	295	368	423	500	615	804	1250
1A-85-63	2625	131	237	274	328	409	470	555	683	894	1388
1A-85-69	2890	144	260	301	361	449	517	611	751	983	1527
1A-85-75	3145	157	284	329	393	490	564	666	819	1073	1666
1A-85-81	3405	170	308	356	426	531	611	722	888	1162	1805
1A-85-87	3675	183	332	383	459	572	658	777	956	1251	1944
1A-85-93	3935	196	355	411	492	613	705	833	1024	1341	2083
1A-85-99	4200	209	379	438	525	654	751	888	1029	1430	2221

85 Ah Plate Modules

Unigy II Discharge Rates in Amperes

Amperes to 1.78 V per Cell at 25 °C (77 °F)											
Cell Type	Nom. Ah Cap.	24 hr.	12 hr.	10 hr.	8 hr.	6 hr.	5 hr.	4 hr.	3 hr.	2 hr.	1 hr.
6A-85-7	265	13	23	27	33	40	46	54	66	86	132
6A-85-9	350	17	31	36	43	54	61	73	89	115	177
6A-85-11	440	22	39	45	54	67	77	91	111	144	221
6A-85-13	530	26	47	54	65	81	92	109	133	173	265
6A-85-15	615	30	55	63	76	94	108	127	155	201	309
3A-85-17	695	34	63	72	87	108	123	145	177	230	353
3A-85-19	785	39	70	81	98	121	138	163	199	259	397
3A-85-21	875	43	78	90	108	134	154	181	221	287	441
3A-85-23	960	47	86	99	119	148	169	199	244	316	486
3A-85-25	1050	52	94	108	130	161	184	217	266	345	530
3A-85-27	1135	56	102	117	141	175	200	236	288	374	574
3A-85-29	1225	60	109	126	152	188	215	254	310	402	618
3A-85-31	1310	64	117	135	163	202	231	272	332	431	662
3A-85-33	1400	69	125	144	173	215	246	290	354	460	706
1A-85-39	1585	77	141	162	195	242	277	326	399	517	795
1A-85-45	1845	90	164	189	228	282	323	380	465	603	927
1A-85-51	2095	103	187	216	260	322	369	435	531	669	1059
1A-85-57	2360	116	211	243	293	363	415	489	598	776	1192
1A-85-63	2625	129	234	270	325	403	461	543	664	862	1324
1A-85-69	2890	142	258	298	358	443	507	598	731	948	1457
1A-85-75	3145	155	281	325	390	484	553	652	797	1034	1589
1A-85-81	3405	168	305	352	423	524	600	706	864	1120	1721
1A-85-87	3675	181	328	379	455	564	646	761	930	1206	1854
1A-85-93	3935	193	351	406	488	604	692	815	996	1292	1986
1A-85-99	4200	206	375	433	520	645	738	869	1063	1379	2119

Amperes to 1.81 V per Cell at 25 °C (77 °F)											
Cell Type	Nom. Ah Cap.	24 hr.	12 hr.	10 hr.	8 hr.	6 hr.	5 hr.	4 hr.	3 hr.	2 hr.	1 hr.
6A-85-7	265	13	23	27	32	40	45	53	65	85	126
6A-85-9	350	17	31	36	43	53	60	71	87	113	168
6A-85-11	440	21	39	45	53	66	76	89	109	141	210
6A-85-13	530	26	47	54	64	80	91	107	131	170	252
6A-85-15	615	30	54	63	75	93	106	124	152	198	294
3A-85-17	695	34	62	71	85	106	121	142	174	226	336
3A-85-19	785	38	70	80	96	119	136	160	196	254	378
3A-85-21	875	43	78	89	107	132	151	178	218	282	420
3A-85-23	960	47	85	98	118	146	166	195	239	311	462
3A-85-25	1050	51	93	107	128	159	181	213	261	339	504
3A-85-27	1135	55	101	116	139	172	196	231	283	367	546
3A-85-29	1225	60	109	125	150	185	212	249	305	395	588
3A-85-31	1310	64	116	134	160	199	227	266	326	423	630
3A-85-33	1400	68	124	143	171	212	242	284	348	452	672
1A-85-39	1585	77	140	161	192	238	272	320	392	508	756
1A-85-45	1845	90	163	188	224	278	317	373	457	593	882
1A-85-51	2095	102	186	214	256	318	363	426	522	677	1008
1A-85-57	2360	115	209	241	288	358	408	479	588	762	1134
1A-85-63	2625	128	233	268	320	397	453	533	653	847	1260
1A-85-69	2890	141	256	295	352	437	499	586	718	931	1386
1A-85-75	3145	153	279	321	384	477	544	639	783	1016	1512
1A-85-81	3405	166	302	348	417	516	589	692	849	1101	1638
1A-85-87	3675	179	326	375	449	556	635	746	914	1185	1764
1A-85-93	3935	192	349	402	481	596	680	799	979	1270	1890
1A-85-99	4200	205	372	429	513	636	725	852	1044	1355	2016

85 Ah Plate Modules

Unigy II Discharge Rates in Amperes

Cell Type	Nom. Ah Cap.	Amperes to 1.84 V per Cell at 25 °C (77 °F)									
		24 hr.	12 hr.	10 hr.	8 hr.	6 hr.	5 hr.	4 hr.	3 hr.	2 hr.	1 hr.
6A-85-7	265	13	23	26	31	39	44	52	63	81	120
6A-85-9	350	17	30	35	42	52	59	69	84	109	160
6A-85-11	440	21	38	44	52	65	74	86	105	136	200
6A-85-13	530	25	45	52	62	78	88	104	126	163	240
6A-85-15	615	29	53	61	73	90	103	121	147	190	280
3A-85-17	695	34	60	70	83	103	118	138	168	217	320
3A-85-19	785	38	68	79	94	116	133	155	189	244	360
3A-85-21	875	42	76	87	104	129	147	173	210	271	400
3A-85-23	960	46	83	96	114	142	162	190	231	298	440
3A-85-25	1050	50	91	105	125	155	177	207	252	325	480
3A-85-27	1135	55	98	114	135	168	192	224	273	352	520
3A-85-29	1225	59	106	122	146	181	206	242	294	379	560
3A-85-31	1310	63	113	131	156	194	221	259	315	406	600
3A-85-33	1400	67	121	140	166	207	236	276	336	433	640
1A-85-39	1585	76	136	157	187	232	265	311	378	488	720
1A-85-45	1845	88	159	183	218	271	310	362	441	569	840
1A-85-51	2095	101	181	210	249	310	354	414	504	650	960
1A-85-57	2360	113	204	236	281	349	398	466	567	731	1080
1A-85-63	2625	126	226	262	312	387	442	518	630	812	1200
1A-85-69	2890	138	249	288	343	426	486	569	693	894	1320
1A-85-75	3145	151	272	314	374	465	531	621	756	975	1440
1A-85-81	3405	164	294	340	405	503	575	673	819	1056	1560
1A-85-87	3675	176	317	367	437	542	619	725	882	1137	1680
1A-85-93	3935	189	340	393	468	581	663	776	945	1218	1800
1A-85-99	4200	201	362	419	499	620	708	828	1008	1300	1920

Cell Type	Nom. Ah Cap.	Amperes to 1.88 V per Cell at 25 °C (77 °F)									
		24 hr.	12 hr.	10 hr.	8 hr.	6 hr.	5 hr.	4 hr.	3 hr.	2 hr.	1 hr.
6A-85-7	265	12	22	25	30	37	42	49	59	75	107
6A-85-9	350	16	29	33	40	49	56	66	79	100	143
6A-85-11	440	20	36	42	50	62	70	82	98	125	179
6A-85-13	530	24	43	50	60	74	84	98	118	150	214
6A-85-15	615	28	51	59	70	86	98	115	138	175	250
3A-85-17	695	32	58	67	79	99	112	131	157	200	286
3A-85-19	785	36	65	75	89	111	126	147	177	225	321
3A-85-21	875	40	72	84	99	123	140	164	197	250	357
3A-85-23	960	44	80	92	109	136	154	180	216	275	393
3A-85-25	1050	48	87	100	119	148	168	196	236	300	429
3A-85-27	1135	52	94	109	129	160	182	213	256	325	464
3A-85-29	1225	56	101	117	139	173	196	229	275	350	500
3A-85-31	1310	60	108	125	149	185	210	245	295	375	536
3A-85-33	1400	64	116	134	159	197	224	262	315	400	571
1A-85-39	1585	72	130	150	179	222	253	295	354	450	643
1A-85-45	1845	84	152	176	209	259	295	344	413	525	750
1A-85-51	2095	96	173	201	238	296	337	393	472	600	857
1A-85-57	2360	109	195	226	268	333	379	442	531	675	964
1A-85-63	2625	121	217	251	298	370	421	491	590	750	1071
1A-85-69	2890	133	238	276	328	407	463	540	649	825	1178
1A-85-75	3145	145	260	301	357	444	505	589	708	900	1286
1A-85-81	3405	157	282	326	387	481	547	638	767	975	1393
1A-85-87	3675	169	304	351	417	518	589	687	826	1050	1500
1A-85-93	3935	181	325	376	447	555	631	736	885	1125	1607
1A-85-99	4200	193	347	401	477	592	673	785	944	1200	1714

85 Ah Plate Modules

Unigy II Discharge Rates in Amperes

Cell Type	Nom. Ah Cap.	Amperes to 1.90 V per Cell at 25 °C (77 °F)									
		24 hr.	12 hr.	10 hr.	8 hr.	6 hr.	5 hr.	4 hr.	3 hr.	2 hr.	1 hr.
6A-85-7	265	12	21	24	29	36	40	46	55	69	97
6A-85-9	350	16	28	32	38	47	53	62	74	93	129
6A-85-11	440	20	35	40	48	59	67	77	92	116	161
6A-85-13	530	23	42	48	57	71	80	93	110	139	194
6A-85-15	615	27	49	57	67	83	94	108	129	162	226
3A-85-17	695	31	56	65	76	95	107	124	147	185	258
3A-85-19	785	35	63	73	86	107	120	139	165	208	291
3A-85-21	875	39	70	81	96	118	134	154	184	231	323
3A-85-23	960	43	77	89	105	130	147	170	202	254	355
3A-85-25	1050	47	84	97	115	142	160	185	221	277	387
3A-85-27	1135	51	91	105	124	154	174	201	239	300	420
3A-85-29	1225	55	98	113	134	166	187	216	257	323	452
3A-85-31	1310	59	105	121	143	178	201	232	276	346	484
3A-85-33	1400	62	112	129	153	189	214	247	294	369	516
1A-85-39	1585	70	126	145	172	213	241	278	331	416	581
1A-85-45	1845	82	147	170	201	249	281	324	386	485	678
1A-85-51	2095	94	168	194	229	284	321	370	441	554	775
1A-85-57	2360	105	189	218	258	320	361	417	496	623	872
1A-85-63	2625	117	210	242	287	355	401	463	551	692	968
1A-85-69	2890	129	231	266	315	391	441	509	607	762	1065
1A-85-75	3145	140	252	291	344	426	481	556	662	831	1162
1A-85-81	3405	152	273	315	373	462	522	602	717	900	1259
1A-85-87	3675	164	295	339	401	497	562	648	772	969	1356
1A-85-93	3935	175	316	363	430	533	602	694	827	1038	1453
1A-85-99	4200	187	337	387	459	568	642	741	882	1108	1549

Amperes to 1.94 V per Cell at 25 °C (77 °F)

Cell Type	Nom. Ah Cap.	24 hr.	12 hr.	10 hr.	8 hr.	6 hr.	5 hr.	4 hr.	3 hr.	2 hr.	1 hr.
6A-85-7	265	11	19	22	26	32	36	42	50	62	84
6A-85-9	350	14	26	29	35	43	48	56	66	83	112
6A-85-11	440	18	32	37	43	54	60	69	83	103	140
6A-85-13	530	21	38	44	52	64	72	83	99	124	168
6A-85-15	615	25	45	51	61	75	84	97	116	144	196
3A-85-17	695	28	51	59	69	86	96	111	133	165	224
3A-85-19	785	32	57	66	78	96	108	125	149	185	252
3A-85-21	875	35	64	73	86	107	120	139	166	206	280
3A-85-23	960	39	70	81	95	118	132	153	182	227	308
3A-85-25	1050	42	76	88	104	128	144	166	199	247	336
3A-85-27	1135	46	83	95	112	139	156	180	215	268	364
3A-85-29	1225	49	89	103	121	150	168	194	232	288	392
3A-85-31	1310	53	96	110	130	160	180	208	249	309	420
3A-85-33	1400	56	102	117	138	171	192	222	265	329	448
1A-85-39	1585	63	115	132	156	193	216	250	298	371	504
1A-85-45	1845	74	134	154	182	225	252	291	348	432	588
1A-85-51	2095	84	153	176	207	257	288	333	398	494	672
1A-85-57	2360	95	172	198	233	289	324	374	447	556	756
1A-85-63	2625	106	191	220	259	321	360	416	497	617	840
1A-85-69	2890	116	210	242	285	353	396	457	547	679	924
1A-85-75	3145	127	229	264	311	385	432	499	597	741	1008
1A-85-81	3405	137	248	286	337	417	468	541	646	802	1092
1A-85-87	3675	148	268	308	363	449	504	582	696	864	1176
1A-85-93	3935	158	287	330	389	481	540	624	746	926	1260
1A-85-99	4200	169	306	352	415	513	576	665	795	988	1344

Unigy II Battery Typical Warranty Information

Warranted Yrs. of Life	Daily Maximum Battery Temp.*	Full Replace Portion	Pro-Rata Replace Portion
20	25 °C (77 °F)	2 Yrs.	18 Yrs.
10	32 °C (90 °F)	1 Yr.	9 Yrs.
4	43 °C (110 °F)	0 Yr.	4 Yrs.
1	50 °C (122 °F)	0 Yr.	1 Yr.

* Warranty is void if battery temperature exceeds 57 °C (135 °F).

 **Protect Our Environment: Recycle All Spent Batteries at an E.P.A.-permitted recycling facility. Call Lucent Technologies for details.**

For additional information, contact your Lucent Technologies Account Manager or the following:

POWER SYSTEMS UNIT: Network Products Group, Lucent Technologies Inc., 3000 Skyline Drive, Mesquite, TX 75149, USA
+1-800-526-7819 (Outside U.S.A.: **+1-972-284-2626**, FAX: +1-972-284-2900) (product-related questions or technical assistance)

INTERNET: **<http://www.lucent.com/networks/power>**

E-MAIL: **techsupport1@lucent.com**

ASIA PACIFIC: Lucent Technologies Singapore Pte. Ltd., 750D, Chai Chee Road, #07-06, Chai Chee Industrial Park, Singapore 469004
 Tel: **(65) 240 8041**, FAX: (65) 240 8438

CHINA: Lucent Technologies (China) Co., Ltd., SCITECH Place, No. 22, Jian Guo Men Wai Avenue, Beijing 100004, PRC
 Tel: **(86) 10-5522 6566 ext. 4187**, Fax: (86) 10-6512 3634

JAPAN: Lucent Technologies Japan Ltd., Mori Building, No. 21, 4-33, Roppongi 1-Chome, Minato-ku, Tokyo 106-8508, Japan
 Tel: **(81) 3 5561 5831**, FAX: (81) 3 5561 1616

LATIN AMERICA: Lucent Technologies Inc., Room 416, 2333 Ponce de Leon Blvd., Coral Gables, FL 33134, USA
 Tel: **+1-305-569-4722**, FAX: +1-305-569-3820

EUROPE: Data Requests: DATALINE: Tel: **(44) 1189 324 299**, FAX: (44) 1189 328 148
 Technical Inquiries: GERMANY: **(49) 89 95086 0** (Munich), UNITED KINGDOM: **(44) 1344 865 900** (Ascot),
 FRANCE: **(33) 1 40 83 68 00** (Paris), SWEDEN: **(46) 8 594 607 00** (Stockholm), FINLAND: **(358) 9 4354 2800** (Helsinki),
 ITALY: **(39) 02 6608131** (Milan), SPAIN: **(34) 91 807 1441** (Madrid)

Lucent Technologies Inc. reserves the right to make changes to the product(s) or information contained herein without notice. No liability is assumed as a result of their use or application. No rights under any patent accompany the sale of any such product(s) or information.

Copyright © 1999 Lucent Technologies Inc.

All Rights Reserved

Printed in U.S.A.

Unigy II is a registered trademark of East Penn Manufacturing, Inc.

DS98-391LIN (Replaces DS95-187LIN)


 Printed on
 Recycled Paper

Lucent Technologies
 Bell Labs Innovations

